



CLAMP SADDLES IPS SIZING

**for HDPE and
PVC pipes**

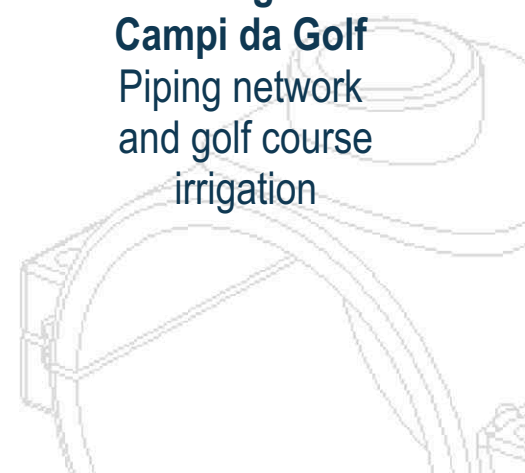


CARATTERISTICHE TECNICHE - TECHNICAL FEATURES

Pressione Nominale Nominal pressure	PN 16
Norme di riferimento Reference Standards	ASTM D 3035, F714 and AWWA C-901/906
Controlli e Collaudi Checks and tests	<p>Aspetto/Appearance Caratteristiche geometriche/Geometrical characteristics Marcatura/Marking</p> <p>Resistenza alla pressione interna/Resistance to internal pressure Resistenza alla depressione interna/Internal under-pressure resistance Resistenza alla curvatura/Resistance to bending Resistenza allo scorrimento/Resistance to sliding</p>
Materiali Materials	<p>Corpo/Body Polipropilene Copolimero/Copolimer polypropilene</p> <p>Viti e Bulloni/Bolts and Nuts Acciaio Galvanizzato/Galvanized Steel</p> <p>Guarnizione/O.Ring Gomma nitrilica/Nitrilic Rubber</p> <p>Anello di rinforzo/Reinforced ring: Acciaio Inox/Stainless Steel</p>

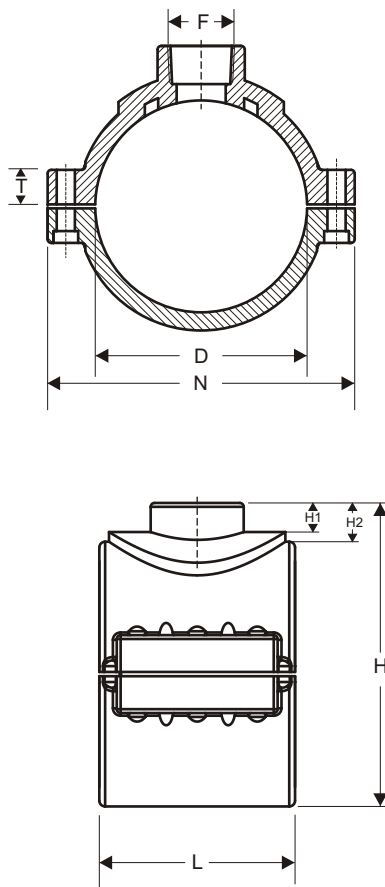
CAMPI DI IMPIEGO
fields of application

Reti e Irrigazione
Campi da Golf
Piping network
and golf course
irrigation





CLAMP SADDLES IPS SIZING



DIMENSIONI - DIMENSION

Staffa/Clamp	D	F	N	H	H1	H2	L	T	SEDI BULLONI BOLT SEAT
1" 1/2	48.3	1/2" NPT	88.8	74,5	9,5	13	65.0	15.5	4
		3/4" NPT		74,5	11	13			
		1" NPT		79,5	17.5	17.5			
2"	60.3	1/2" NPT	102	96.5	18.6	18.5	68.0	17.5	4
		3/4" NPT		96.5	18.6	18.5			
		1" NPT		97.5	19.6	19.5			
3"	88.9	1/2" NPT	131	126	13.8	18.5	84.5	18.5	4/6
		3/4" NPT		126	13.8	18.5			
		1" NPT		127	14.8	19.5			
		1"1/4 NPT		131	21	25.5			
		1"1/2 NPT		131	21	25.5			
4"	114.3	1/2" NPT	162	152	13.5	18	98.5	19	4/6
		3/4" NPT		152	13.5	18			
		1" NPT		153	16	20			
		1"1/4 NPT		131	18.5	23			
		1"1/2 NPT		131	18.5	23			
6"	168.28	1/2" NPT	226,5	208	14	19	137,5	25.5	6
		3/4" NPT		208	14	19			
		1" NPT		209	15	20			
		1"1/4 NPT		215	21	26			
		1"1/2 NPT		215	21	26			
		2" NPT		215	21	26			

* Disponibili con Dadi e bulloni in Acciaio A2 AISI 304/Available with Bolts and nuts in Stainless Steel A2 AISI 304

PLASTICA ALFA

Zona Industriale C.da S.M. Poggiarelli s.n. - 95041 CALTAGIRONE (CT) - Italy
Tel. +39.0933.51973 - Fax +39.0933.53049
comunicazione@plasticalfa.it - exportdpt@plasticalfa.it - www.plasticalfa.it

